

## ⚠ WARNINGS AND CAUTIONS

- Make sure **POWER** is **COMPLETELY OFF** at the fuse box
- Have your fixture installed by a qualified licensed electrician
- Prepare everything in a clear area
- Wear gloves at all times during this installation
- Read instructions carefully before you start assembly
- Keep this installation sheet for future reference

**Please Note:**

- This Alora LED fixture comes with pre-wired LED module(s)
- Unless instructed, Do Not touch any part of the LED module(s) as any unnecessary contact with the module could cause permanent damage
- For dimming, an ELV (Electronic Low Voltage), TRIAC or 0-10V type of dimmer is required
- 48V DC input, with remote driver

## NOTICE

• The important safeguards and instructions outlined in this sheet cannot cover all possible conditions and situations that may occur. It must be understood that caution and certain care factors must be followed. These instructions are provided for your safety and we highly recommend that a licensed, trained electrician install this unit.

## ASSEMBLY INSTRUCTIONS

### Step 1

Remove fixture from its original package.

### Step 2

Remote driver (4a) must be installed and low voltage wires brought to the mounting location prior to fixture installation. Make proper electrical connections (**black to hot "L"**, **white to neutral "N"**, **green to "GND"**, **Dim + to purple**, **Dim- to gray**) with wire nuts provided in hardware package. Secure driver lid (4d) to driver box (4b) with screws.

Recommended Max Low Voltage Wire Length
12 AWG= 80ft
14 AWG= 50ft
18 AWG= 30ft

### Step 3

Connect LED+/LED- wire from remote driver (4a) to approximate location.

### Step 4

Drill holes into powered canopy ceiling (See Illustration 1).

### Step 5

Install mounting plate to ceiling (two sets of holes needed), by compressing butterfly clips (1a) through 3/8" holes in ceiling and then use screw (1c) to fasten.

### Step 6

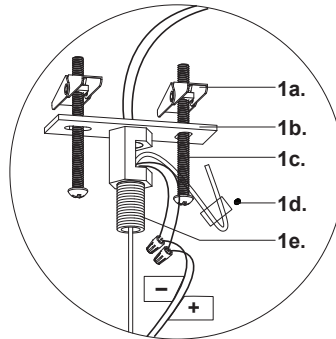
Make proper LED+/LED- wire connection with wire nuts provided. Make sure safety cable is properly installed (1d).

### Step 7

Hang fixture canopy (2a) by connecting threaded nut (2b) to threaded rod (1e). Repeat step for both powered and non-powered canopy.

You are now ready to enjoy your fixture.

Wires	
Hot (Black)	—————
Neutral (White)	—————
Ground (Green)	.....
Dim - (Gray): Optional	- - - - -
Dim + (Purple): Optional	- - - - -



Non-Powered Canopy

Powered Canopy

